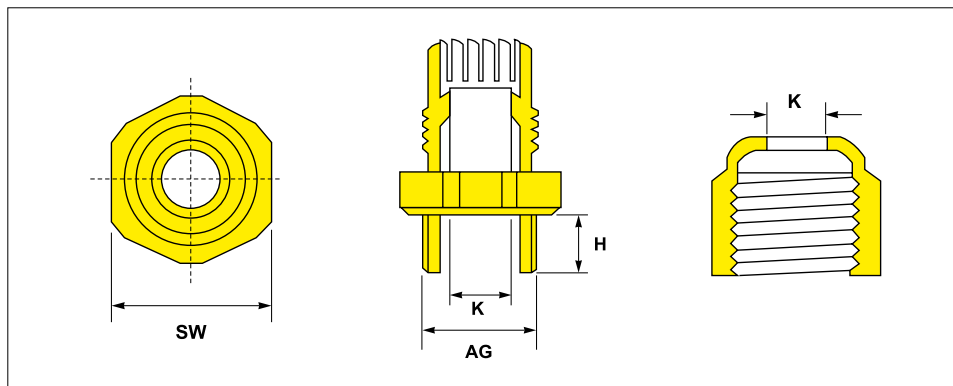


Type-A Cable Glands for quick-fit installation



Metric

Standard Clamping range
Standard connecting thread

All dimensions in mm

Connecting Thread	Clamping Range	Standard Connecting Thread Length	Spanner Size	Reference-No.	Type
AG	K	H	SW		
M 12 × 1.5	3.0 – 6.5	8.0	SW 15	EPN 250 / M 12	A
M 16 × 1.5	6.0 – 10.0	8.0	SW 19	EPN 250 / M 16 N	A
M 20 × 1.5	7.0 – 12.0	9.0	SW 24	EPN 250 / M 20 N	A
M 25 × 1.5	11.0 – 17.0	10.0	SW 30	EPN 250 / M 25 N	A
M 32 × 1.5	15.0 – 21.0	10.0	SW 36	EPN 250 / M 32 N	A
M 40 × 1.5	19.0 – 28.0	10.0	SW 46	EPN 250 / M 40 N	A
M 50 × 1.5	27.0 – 35.0	12.0	SW 55	EPN 250 / M 50 N	A
M 63 × 1.5	34.0 – 45.0	12.0	SW 66	EPN 250 / M 63 N	A

Material :
PA 6,
impact resistant nylon,
V0 according to UL 94

Standard Colours :
light grey RAL 7035
dark grey RAL 7001
black RAL 9005

optional :
white RAL 9010
red RAL 3000

Optional colours on request.

VDE and UL certification
Superior Protection

Watertight, IP 68 rated protection
- 5 bar, built-in vibration proof, strain relief. Temperature Range: Working -40°F to 221°F (-40°C to 105°C).

Think Plastic. Go Protec.®



Metric

Standard Clamping range
Extendend connecting thread

M 12 × 1.5	3.0 – 6.5	15.0	SW 15	EPN 250 / M 12 L	A
M 16 × 1.5	6.0 – 10.0	15.0	SW 19	EPN 250 / M 16 LN	A
M 20 × 1.5	7.0 – 12.0	15.0	SW 24	EPN 250 / M 20 LN	A
M 25 × 1.5	11.0 – 17.0	15.0	SW 30	EPN 250 / M 25 LN	A
M 32 × 1.5	15.0 – 21.0	15.0	SW 36	EPN 250 / M 32 LN	A
M 40 × 1.5	19.0 – 28.0	18.0	SW 46	EPN 250 / M 40 LN	A
M 50 × 1.5	27.0 – 35.0	18.0	SW 55	EPN 250 / M 50 LN	A
M 63 × 1.5	34.0 – 45.0	18.0	SW 66	EPN 250 / M 63 LN	A

Should your requirements not be shown please ask for a separate quotation.
PROTEC products and specifications are subject to improvement and change without notice.

Quick-Fit® Cable Glands, Nylon - Liquid Tight and Strain Relief

Type-A	Cable Glands for quick-fit installation
Type-B	Cable Glands for extreme mechanical demands

TRIPLE ADVANTAGE of PROTEC QUICK-FIT®

QUALITY. Both types of Quick-Fit EPN 250 Nylon Cable Glands provide you with both the highest degree of functionality and safety. Designed for a perfect grip and effortless spanner tight seal. Built-in vibration protection system to eliminate loss of torque. Perfect, watertight seal IP 68 - 5 bar. For optimal strain relief and cable protection combined with a generous clamping range. For secure and rapid assembly.

AVAILABILITY. With over 400 million moulded components shipped from our Oststeinbek / Hamburg logistics center we provide the fastest on time delivery service to all markets and industries.

PHILOSOPHY. The highest degree of Protec Quick-Fit functionality and safety at the best price in the market.

TYPE-A:	Cable Glands for quick-fit installation
TYPE-B:	Cable Glands for extreme mechanical demands
TEMPERATURE RANGE	- 30° C / + 100° C
VIBRATION PROOF	Built-in vibration protection system to eliminate loss of torque
FIRE CLASS	V0 according to UL 94
PROTECTION CLASS	IP 68 – 5 bar
BLADE SYSTEM	For optimal strain relief and cable protection combined with a generous clamping range
MULTIPLE-THREADS	For secure and rapid assembly



O-Ring design example



Material :
PA 6,
impact resistant nylon,
V0 according to UL 94

Standard Colours :
light grey RAL 7035
dark grey RAL 7001
black RAL 9005

optional:
white RAL 9010
red RAL 3000

Optional colours on request.

Individual Productions :
On request we develop and produce individually tailored solutions next to the standard items of this range: additional dimensions, different materials and new colours

We would be pleased to advise you.

Think Plastic. Go Protec.®

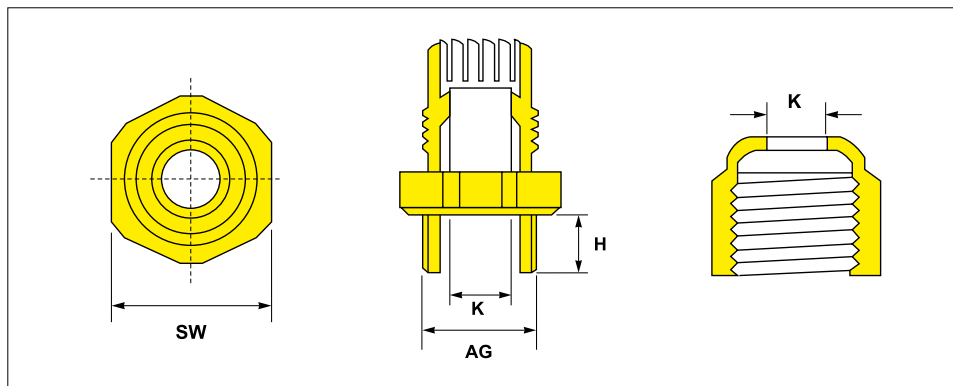
**PROTEC
PLASTICS**

Quick-Fit® Cable Glands, Nylon - Liquid Tight and Strain Relief

Type-A Cable Glands for quick-fit installation

strong

FLEXIBLE PRODUCTION



IP 68

Metric

Reduced Clamping range
Standard mounting thread lengths

All dimensions in mm

Connecting Thread	Clamping Range	Standard Connecting Thread Length	Spanner Size	Reference-No.	Type
M 12 × 1.5	3.0 – 6.0	8.0	SW 15	EPN 250 / M 12 RN	A
M 16 × 1.5	5.0 – 7.0	8.0	SW 19	EPN 250 / M 16 RN	A
M 20 × 1.5	6.0 – 9.0	9.0	SW 24	EPN 250 / M 20 RN	A
M 25 × 1.5	8.0 – 13.0	10.0	SW 30	EPN 250 / M 25 RN	A
M 32 × 1.5	11.0 – 15.0	10.0	SW 36	EPN 250 / M 32 RN	A
M 40 × 1.5	15.0 – 23.0	10.0	SW 46	EPN 250 / M 40 RN	A
M 50 × 1.5	22.0 – 29.0	12.0	SW 55	EPN 250 / M 50 RN	A
M 63 × 1.5	28.0 – 39.0	12.0	SW 66	EPN 250 / M 63 RN	A

Material :

PA 6,
impact resistant nylon,
V0 according to UL 94

Standard Colours :

light grey RAL 7035
dark grey RAL 7001
black RAL 9005

optional :

white RAL 9010
red RAL 3000

Optional colours on request.

**VDE and UL certification
Superior Protection**

Watertight, IP 68 rated protection
- 5 bar, built-in vibration proof, strain relief. Temperature Range: Working -40°F to 221°F (-40°C to 105°C).

Think Plastic. Go Protec.®



Metric

Reduced Clamping range
Extended mounting thread lengths

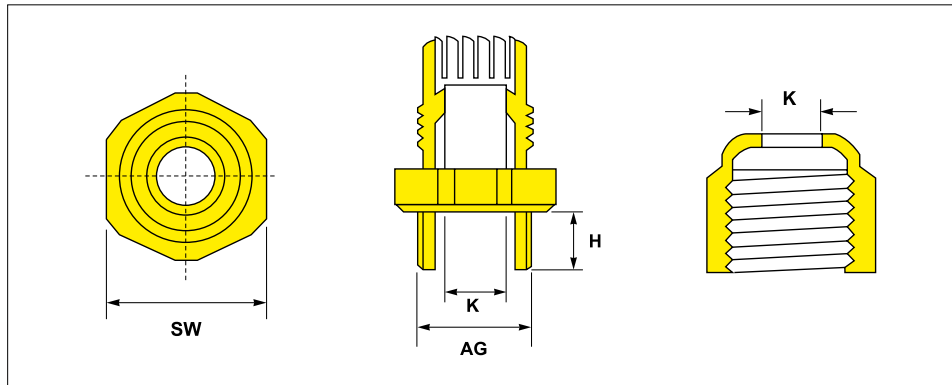
All dimensions in mm

M 12 × 1.5	2.0 – 5.0	15.0	SW 15	EPN 250 / M 12 LRN	A
M 16 × 1.5	2.0 – 7.0	15.0	SW 19	EPN 250 / M 16 LRN	A
M 20 × 1.5	5.0 – 9.0	15.0	SW 24	EPN 250 / M 20 LRN	A
M 25 × 1.5	6.0 – 13.0	15.0	SW 30	EPN 250 / M 25 LRN	A
M 32 × 1.5	7.0 – 15.0	15.0	SW 36	EPN 250 / M 32 LRN	A
M 40 × 1.5	15.0 – 23.0	18.0	SW 46	EPN 250 / M 40 LRN	A
M 50 × 1.5	22.0 – 29.0	18.0	SW 55	EPN 250 / M 50 LRN	A
M 63 × 1.5	28.0 – 39.0	18.0	SW 66	EPN 250 / M 63 LRN	A

Should your requirements not be shown please ask for a separate quotation.
PROTEC products and specifications are subject to improvement and change without notice.

Quick-Fit® Cable Glands, Nylon - Liquid Tight and Strain Relief

Type-B Cable Glands for extreme mechanical demands



C  US C  US IP 68

QUICK-FIT®

Metric

Enlarged Clamping range Standard mounting thread lengths

All dimensions in mm

Connecting Thread	Clamping Range	Standard Connecting Thread Length	Spanner Size	Reference-No.	Type
AG	K	H	SW		
M 16 × 1.5	4.0 – 8.0	8.0	SW 19	EPN 250 / M 16	B
M 20 × 1.5	10.0 – 14.0	10.2	SW 27	EPN 250 / M 20 E	B
M 25 × 1.5	10.0 – 14.0	11.0	SW 27	EPN 250 / M 25 E	B
M 25 × 1.5	13.0 – 18.0	11.0	SW 33	EPN 250 / M 25 E2	B
M 32 × 1.5	18.0 – 25.0	12.0	SW 42	EPN 250 / M 32 E	B
M 40 × 1.5	22.0 – 32.0	13.0	SW 53	EPN 250 / M 40	B
M 50 × 1.5	30.0 – 38.0	13.0	SW 60	EPN 250 / M 50	B

Metric

Enlarged Clamping range Extended mounting thread lengths

All dimensions in mm

M 20 × 1.5	10.0 – 14.0	15.0	SW 27	EPN 250 / M 20 EL	B
M 25 × 1.5	13.0 – 18.0	15.0	SW 33	EPN 250 / M 25 EL	B
M 32 × 1.5	18.0 – 25.0	15.0	SW 42	EPN 250 / M 32 EL	B
M 40 × 1.5	22.0 – 32.0	18.0	SW 53	EPN 250 / M 40 L	B
M 50 × 1.5	30.0 – 38.0	18.0	SW 60	EPN 250 / M 50 L	B

Material :

PA 6,
impact resistant nylon,
V0 according to UL 94

Standard Colours :

light grey RAL 7035
dark grey RAL 7001
black RAL 9005

optional:

white RAL 9010
red RAL 3000

Optional colours on request.

Individual Productions :

On request we develop and produce individually tailored solutions next to the standard items of this range: additional dimensions, different materials and new colours

We would be pleased to advise you.

Think Plastic. Go Protec.®

PROTEC
PLASTICS

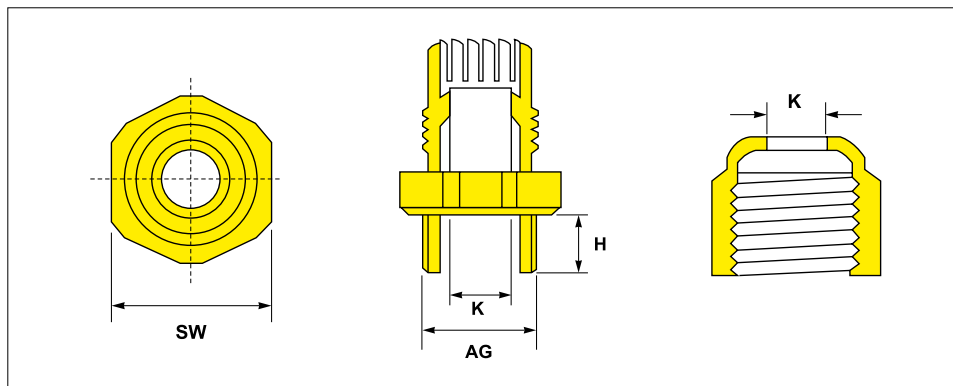
Should your requirements not be shown please ask for a separate quotation.
PROTEC products and specifications are subject to improvement and change without notice.

Quick-Fit® Cable Glands, Nylon - Liquid Tight and Strain Relief

Type-B Cable Glands for extreme mechanical demands

immediate

FREE SAMPLES



IP 68

Material :
PA 6,
impact resistant nylon,
V0 according to UL 94

Standard Colours :
light grey RAL 7035
dark grey RAL 7001
black RAL 9005

optional :
white RAL 9010
red RAL 3000

Optional colours on request.

**VDE and UL certification
Superior Protection**

Watertight, IP 68 rated protection
- 5 bar, built-in vibration proof,
strain relief. Temperature Range: Working
-40°F to 221°F (-40°C to 105°C).

Think Plastic. Go Protec.®



Metric Reduced Clamping range
Standard mounting thread lengths

All dimensions in mm

Connecting Thread	Clamping Range	Standard Connecting Thread Length	Spanner Size	Reference-No.	Type
AG	K	H	SW		
M 16 × 1.5	2.0 – 6.0	8.0	SW 19	EPN 250 / M 16 R	B
M 20 × 1.5	7.0 – 12.0	11.0	SW 27	EPN 250 / M 20 R	B
M 25 × 1.5	7.0 – 12.0	11.0	SW 27	EPN 250 / M 25 R	B
M 32 × 1.5	12.0 – 20.0	10.0	SW 42	EPN 250 / M 32 R	B
M 40 × 1.5	20.0 – 26.0	13.0	SW 53	EPN 250 / M 40 R	B
M 50 × 1.5	25.0 – 31.0	13.0	SW 60	EPN 250 / M 50 R	B

Metric Reduced Clamping range
Extended mounting thread lengths

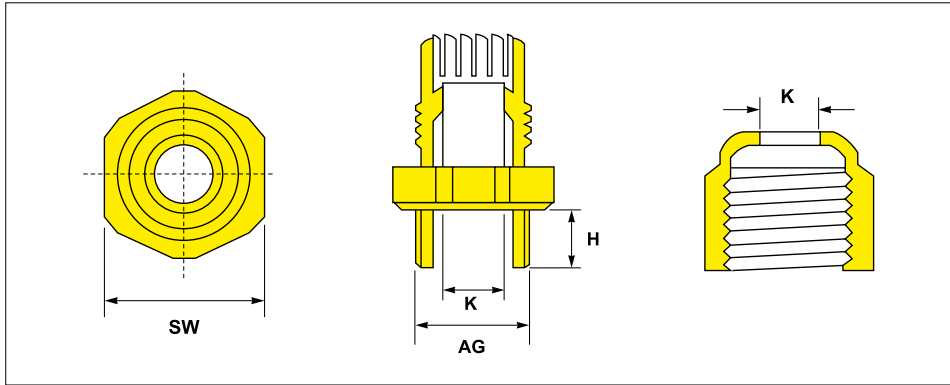
All dimensions in mm

M 20 × 1.5	7.0 – 12.0	15.0	SW 27	EPN 250 / M 20 LR	B
M 25 × 1.5	9.0 – 16.0	15.0	SW 33	EPN 250 / M 25 LR	B
M 32 × 1.5	12.0 – 20.0	15.0	SW 42	EPN 250 / M 32 LR	B
M 40 × 1.5	20.0 – 26.0	18.0	SW 53	EPN 250 / M 40 LR	B
M 50 × 1.5	25.0 – 31.0	18.0	SW 60	EPN 250 / M 50 LR	B

Should your requirements not be shown please ask for a separate quotation.
PROTEC products and specifications are subject to improvement and change without notice.

Quick-Fit® Cable Glands, Nylon - Liquid Tight and Strain Relief

Type-B Cable Glands for extreme mechanical demands



c UL US c RA US IP 68



PG Enlarged Clamping range
Standard mounting thread lengths

All dimensions in mm

Connecting Thread	Clamping Range	Standard Connecting Thread Length	Spanner Size	Reference-No.	Type
AG	K	H	SW		
PG 7	3.0 – 6.5	8.0	SW 15	EPN250 / PG 7	B
PG 9	4.0 – 8.0	8.0	SW 19	EPN250 / PG 9	B
PG 11	4.5 – 10.0	8.0	SW 22	EPN250 / PG 11	B
PG 13.5	6.0 – 12.0	9.0	SW 24	EPN250 / PG 13.5	B
PG 16	10.0 – 14.0	10.2	SW 27	EPN250 / PG 16	B
PG 21	13.0 – 18.0	11.0	SW 33	EPN250 / PG 21	B
PG 29	18.0 – 25.0	11.0	SW 42	EPN250 / PG 29	B
PG 36	22.0 – 32.0	13.0	SW 53	EPN250 / PG 36	B
PG 42	30.0 – 38.0	13.0	SW 60	EPN250 / PG 42	B
PG 48	34.0 – 44.0	14.0	SW 65	EPN250 / PG 48	B

Material :
PA 6,
impact resistant nylon,
V0 according to UL 94

Standard Colours :
light grey RAL 7035
dark grey RAL 7001
black RAL 9005

optional:
white RAL 9010
red RAL 3000

Optional colours on request.

Individual Productions :
On request we develop and produce individually tailored solutions next to the standard items of this range: additional dimensions, different materials and new colours

We would be pleased to advise you.

Think Plastic. Go Protec.®



PG Enlarged Clamping range
Extended mounting thread lengths

All dimensions in mm

PG 7	2.0 – 5.0	8.0	SW 15	EPN 250 / PG 7 R	B
PG 9	2.0 – 6.0	8.0	SW 19	EPN 250 / PG 9 R	B
PG 11	3.0 – 7.0	8.0	SW 22	EPN 250 / PG 11 R	B
PG 13.5	5.0 – 9.0	9.0	SW 24	EPN 250 / PG 13.5 R	B
PG 16	7.0 – 12.0	10.2	SW 27	EPN 250 / PG 16 R	B
PG 21	9.0 – 16.0	11.0	SW 33	EPN 250 / PG 21 R	B
PG 29	12.0 – 20.0	11.0	SW 42	EPN 250 / PG 29 R	B
PG 36	20.0 – 26.0	13.0	SW 53	EPN 250 / PG 36 R	B

Should your requirements not be shown please ask for a separate quotation.
PROTEC products and specifications are subject to improvement and change without notice.